



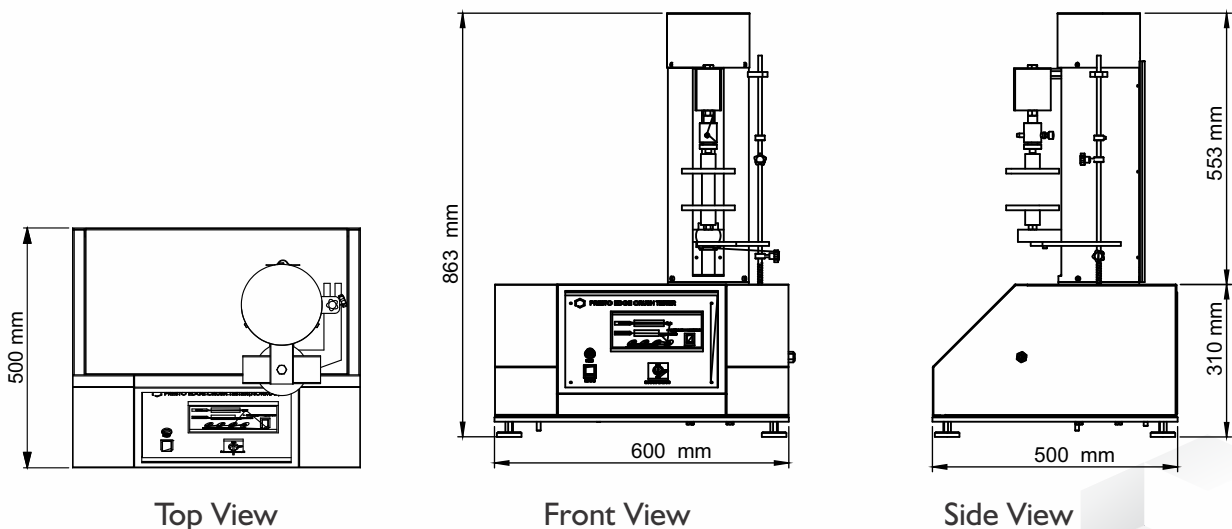
## RCT/FCT/EDGE Crush Tester – Digital with NITRO LCD



### Model No. PCT - 100

**RCT/FCT/Edge Crush Tester Digital** is a consistent tool to measure the crush strength of cardboard boxes and packaging containers. PRESTO RCT/FCT/Edge Crush Tester is manufactured under Test Standard IS 7063.

- Capacity : 100 Kgf
- Microprocessor based LCD display for accurate test results  $\pm 1\%$
- After completion the test auto home return
- Memory for retaining peak value automatically





# Presto Stantest Pvt. Ltd.

I-42, DLF Industrial Area Phase-1, Delhi Mathura Road, Faridabad 121003, Haryana, India  
P : 9210 903 903, +91 129 4272727, 93111 24302 E : info@prestogroup.com

- Faridabad • Sonipat • Kolkata • Mumbai • Pune • Ahmedabad
- Chennai • Bangalore • Hyderabad

[www.prestogroup.com](http://www.prestogroup.com)



The Ring Crush, Edge Crush, Flat Crush Strength tester measures the rigidity of CFB on edgewise.

- Microprocessor based LCD display for accurate test results
- After completion the test auto home return (only in NITRO LCD model)
- Inbuilt calibration facility
- Separate fixtures for ring crush, edge crush and flat crush test.
- Start operation with Feather touch controls
- Memory for retaining peak value automatically (auto peak detect)

RCT/FCT/Edge Crush Tester reveals the crushing resistance in terms of Kg/Unit length.

Optional Features:

- Computerised model also available
- Digital model with printer facility also available.

## Key Specifications :

Load Cell Capacity	100 Kgf
Display	Digital LCD
Accuracy	± 1% at full load (with master load)
Least Count/Resolution	0.01 Kgf
Power	220V, Single phase, 50 Hz
Test Speed	12.5 ± 2.5 mm/min
Difflection	1 mm least count

## Highlights :

Auto Test Stop	Yes
Auto Home Return	Yes
Safety Switch	Upward & Downward Limit Switches
Material	Mild Steel
Finish	Powder coated Havel Gray & Blue combination finish and bright chrome / zinc plating for corrosion resistant finish
Dimensions	600x500x863 mm

Thank you customers for choosing us as your partners in growth !



\*All the above logos are the sole property of their respective owners and are used purely for depiction purposes only.

## OUR OTHER PRODUCTS :-

